

HC-KA-B 6-BU/PEL

Order No.: 1772803

The illustration shows version HC-KA-B 16-BU/PEL

<http://eshop.phoenixcontact.de/phoenix/treeViewClick.do?UID=1772803>

HEAVYCON terminal adapter female insert, B6 series, 6. pos., protective conductor connection on the left for the right side of the control cabinet, screw connection; contact inserts with screw, crimp, and QUICKON connections usable as mating connectors.

Commercial data

EAN	4017918037413
Pack	5 Pcs.
Customs tariff	85369010
Weight/Piece	0.07827 KG
Catalog page information	Page 382 (PC-2007)

<http://www.download.phoenixcontact.com>
Please note that the data given here has been taken from the online catalog. For comprehensive information and data, please refer to the user documentation. The General Terms and Conditions of Use apply to Internet downloads.

Technical data

Electrical characteristics

Note	Für HEAVYCON-ADVANCE-Anbaufansche und HEAVYCON-Anbaugehäuse der Bauform B6. Als Gegenstecker sind Kontakteinsätze mit Schraub-, Crimp-, QUICKON-Anschluss einsetzbar.
Number of positions	6
Connection in acc. with standard	IEC / EN
Rated voltage (III/3)	400 V
Rated surge voltage	6 kV
Rated current	16 A

Mechanical characteristics

Design	B6
--------	----

Connection systems	Screw connection
Tightening torque	0.5 Nm ... 0.8 Nm
Stripping length of the individual wire	14 mm
Conductor cross section	0.2 mm ² ... 2.5 mm ²
Connection cross section AWG	22 ... 12

General characteristics

Contact material	Copper alloy
Contact surface material	Ag
Contact carrier material	PA / PC
Terminal adapter width	26.3 mm
Height	34 mm
Pollution degree	3
Surge voltage category	III
Inflammability class acc. to UL 94	V0
Connection in acc. with standard	IEC / EN
Ambient temperature (operation)	-40 °C ... 125 °C

Certificates / Approvals

Approval logo



CSA

Nominal voltage U _N	300 V
Nominal current I _N	9 A
AWG/kcmil	22-12

UL

Nominal voltage U _N	600 V
Nominal current I _N	10 A
AWG/kcmil	22-12
Certification	CSA, GOST, UL

Accessories

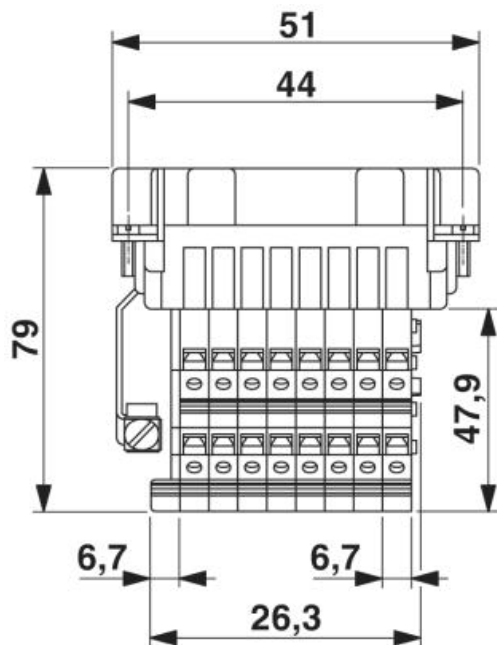
Item	Designation	Description
------	-------------	-------------

Assembly

1775240	HC-KA-FE	Foot element, for mounting on mounting rail NS 32, mounting rail NS 35/7.5 or mounting rail NS 35/15, can be inserted between basic and side element
1660083	HC-VSH	Locking screw barrel to firmly connect contact inserts and rail-mountable terminal adapters

Drawings

Dimensioned drawing



Address

PHOENIX CONTACT GmbH & Co. KG
Flachmarktstr. 8
32825 Blomberg, Germany
Phone +49 5235 3 00
Fax +49 5235 3 41200
<http://www.phoenixcontact.com>



© 2008 Phoenix Contact
Technical modifications reserved;